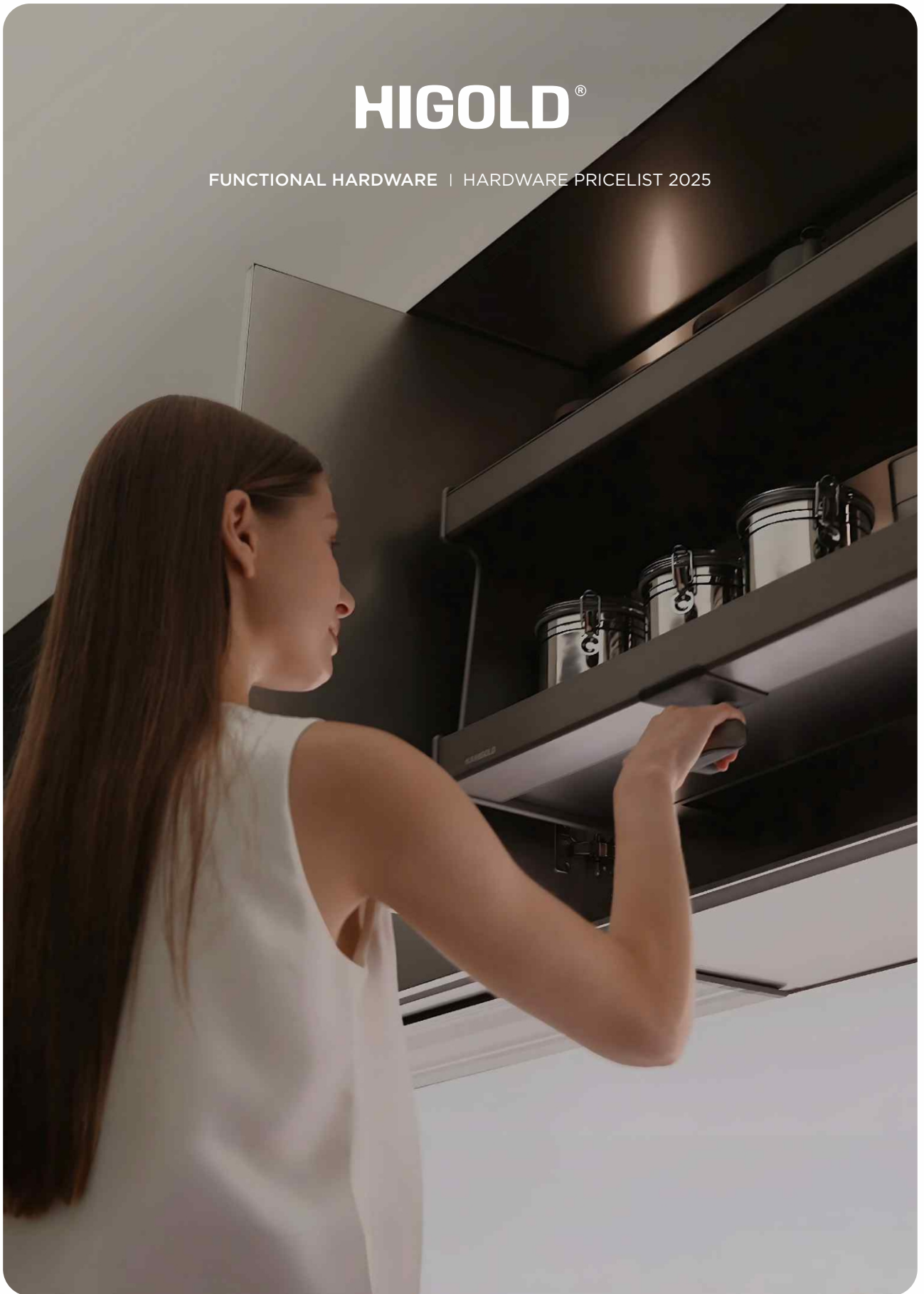


HIGOLD®

FUNCTIONAL HARDWARE | HARDWARE PRICELIST 2025



HIGOLD® STAR HEADQUARTER

Focus on High-end Intelligent Manufacturing Diversification Glints the World

Main Board Listed Company
stock code: 001221



INDEX

KITCHEN SHEARER SERIES

| | |
|--------------------|-----|
| TOURBILLION PANTRY | 003 |
| DRAWER | 004 |
| PANTRY | 005 |
| TALL UNITS | 006 |
| SHOWHAND CORNER | 007 |
| SWING CORNER | 007 |
| BOTTLE PULL OUT | 008 |
| 3.0 MINI | 008 |
| 4.0 MAGIC DRAWER | 009 |
| 4.0 PRO | 009 |
| 4.0 | 010 |
| MINI PANTRY | 011 |
| LIFT UP BASKET | 011 |
| STAR MOVE | 013 |
| STAR MOVE PRO | 014 |
| JINGRAN SERIES | 015 |
| THREE SIDES | 017 |

KITCHEN DIAMOND SERIES

| | |
|-----------------------|-----|
| PANTRY UNIT | 018 |
| TALL UNIT | 019 |
| SHOW HAND CORNER | 020 |
| SWING CORNER | 020 |
| BOTTLE PULL OUT | 021 |
| CAPRI MID WAY SET | 021 |
| DISH AND BOWL LIFT UP | 022 |
| LIQUID RACK PULL OUT | 022 |

WARDROBE ACCESSORIES

| | |
|--------------|-----|
| B SERIES | 023 |
| B 2.0 SERIES | 032 |
| A SERIES | 036 |
| MUSE SERIES | 044 |

FURNITURE FITTINGS

| | |
|----------------------|-----|
| CHANNELS | 047 |
| HINGES | 050 |
| SLIM DRAWER BOX | 056 |
| UNDER MOUNTED SLIDES | 058 |

| | |
|-------------|------------|
| SINK | 060 |
|-------------|------------|

SHEARER (6LAYER) TOURBILLION PANTRY

| Item Code: | Size: | Price: |
|------------|----------|--------|
| 202296 | 600mmx6L | 59,900 |

Product Size(WxDxH):

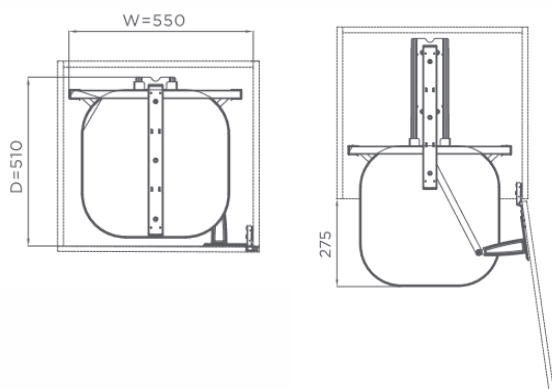
550x510x(1975-2275) mm



Open the cabinet door bring the whole unit to your eyes.



If you want to get something from the back; turn the tray gently.



SHEARER STORAGE DRAWER

| Item Code: | Size: | Price: |
|------------|----------|--------|
| 303802 | 600mmx6L | 12,900 |
| 303803 | 600mmx6L | 20,900 |
| 303804 | 600mmx6L | 25,900 |
| 303805 | 600mmx6L | 11,900 |
| 303801 | 600mmx6L | 10,900 |

Product Size(WxDxH):

- Storage & Wine Glass 303802 - 564x480x110 mm
- Wine Storage Pull Out 303803 - 564x480x110 mm
- Storage Pull Out C 303804 - 564x480x90 mm
- Storage Pull Out B 303805 - 564x480x90 mm
- Storage Pull Out A 303801 - 564x480x90 mm



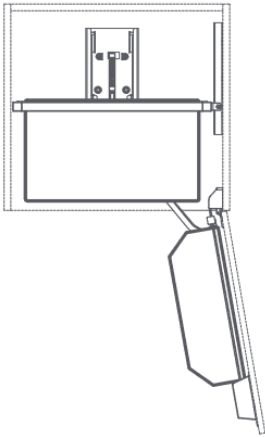
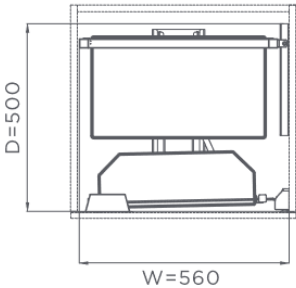
SHEARER PANTRY (6 LAYER)

| Item Code: | Size: | Price: |
|------------|----------|--------|
| 202256 | 600mmx6L | 45,900 |

Product Size(WxDxH):

6LAYER=560x500x1825mm

Small basket (600)W=425mm
Big basket (600)W=470mm



SHEARER TALL UNITS (6 LAYER)

| Item Code: | Size: | Price: |
|------------|-------|--------|
| 101182 | 300mm | 38,900 |
| 101185 | 400mm | 45,900 |

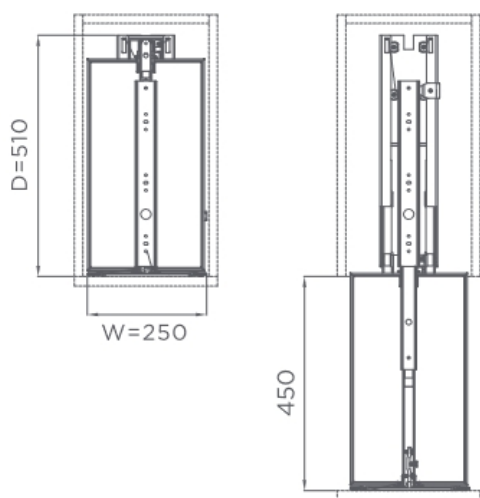
Product Size(WxDxH):

300mm- 250 x 510 x (1659-2059)mm

400mm- 250 x 510 x (1659-2059)mm

Basket 300mm W=245mm

Basket 400mm W=345mm





SHEARER SHOWHAND CORNER

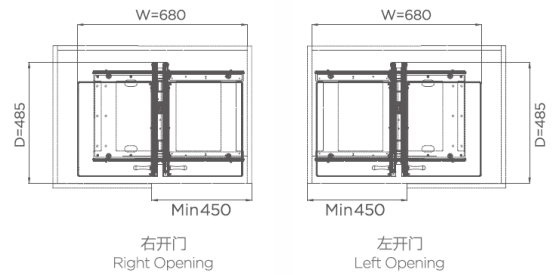
Minimum door opening width:450mm

| Item Code: | Price: |
|------------|--------|
| 101148 | 34,900 |

Product Size(WxDxH):

680x485x590mm

Basket W=300mm



SHEARER SWING CORNER

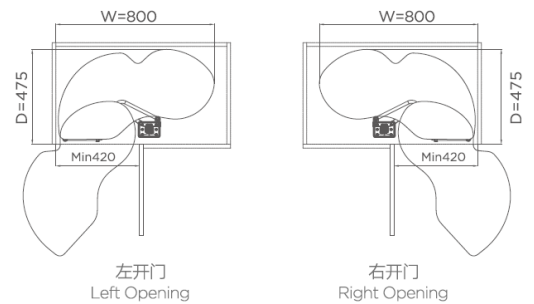
Minimum door opening width:450mm

| Item Code: | Price: |
|------------|--------|
| 101081-L/R | 25,900 |

Product Size(WxDxH):

800x475x(600-750) mm

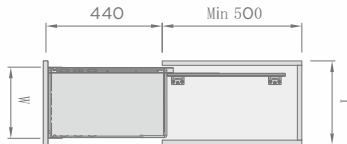
Basket W=775mm





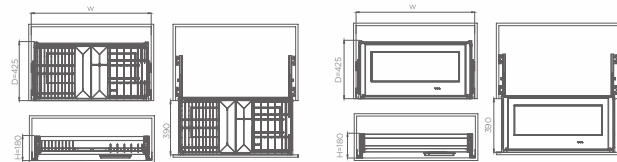
SHEARER BOTTLE PULL OUT

| Item Code: | Size: | Product Size: | Price: |
|------------|-------|-------------------|--------|
| 304171 | 200mm | 155 x 465 x 580mm | 10,900 |
| 304172 | 250mm | 205 x 465 x 580mm | 11,900 |
| 304173 | 300mm | 255 x 465 x 580mm | 12,900 |



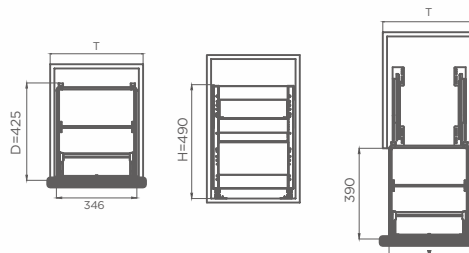
SHEARER 3.0 mini (2 BASKET)

| Item Code: | Size: | Product Size: | Price: |
|------------|-------|---------------|--------|
| 303625 | 600mm | 564x425x180mm | 15,900 |
| 303621 | 900mm | 864x425x180mm | 17,900 |



SHEARER 3.0 mini

| Item Code: | Size: | Product Size: | Price: |
|------------|-------|---------------|--------|
| 306411 | 300mm | 264x425x490mm | 15,900 |
| 306412 | 350mm | 314x425x490mm | 16,900 |
| 306413 | 400mm | 364x425x490mm | 17,900 |



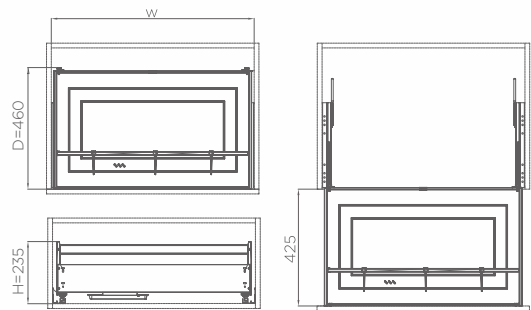


SHEARER 4.0 MAGIC DRAWER

| Item Code: | Size: | Price: |
|------------|-------|--------|
| 303571 | 900mm | 35,900 |

Product Size (WxDxH):

850 x 460 x 235mm

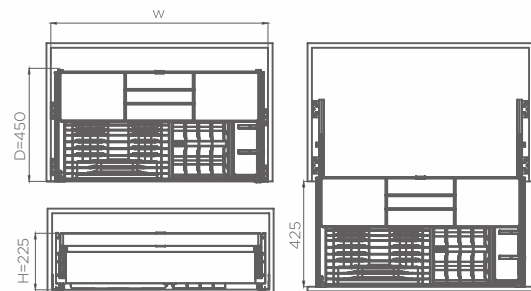


SHEARER 4.0 PRO PULL OUT MULTI PURPOSE BASKET

| Item Code: | Size: | Price: |
|------------|-------|--------|
| 303881 | 450mm | 34,900 |

Product Size (WxDxH):

864 x 460 x 235mm



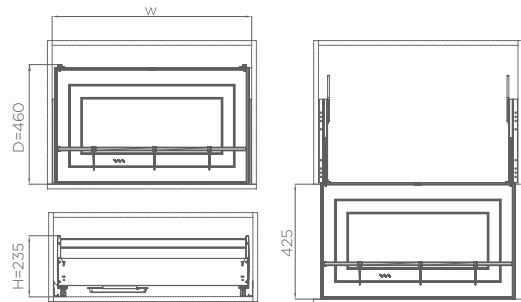


SHEARER 4.0 (PULL OUT BASKET)

| Item Code: | Size: | Price: |
|------------|-------|--------|
| 303591 | 900mm | 28,900 |

Product Size (WxDxH):

864x460x235mm

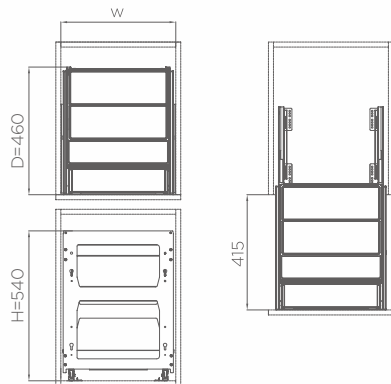


SHEARER 4.0 SEASONING PULL OUT BASKET

| Item Code: | Size: | Price: |
|------------|-------|--------|
| 306274 | 450mm | 30,900 |

Product Size (WxDxH):

414 x 460 x 540mm





SHEARER MINI PANTRY

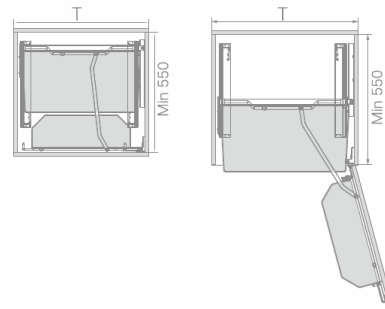
| Item Code: | Size: | Price: |
|------------|-------|--------|
| 303625 | 600mm | 15,900 |

Product Size (WxDxH):

550x490x590mm

Small basket W=425mm

Big basket W=470mm



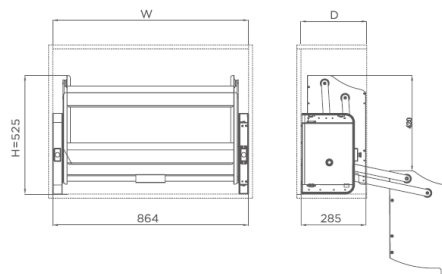
SHEARER LIFT UP BASKET

| Item Code: | Size: | Price: |
|------------|-------|--------|
| 401221 | 600mm | 22,900 |
| 401224 | 900mm | 25,900 |

Product Size (WxDxH):

600mm=564x425x180mm W=564mm

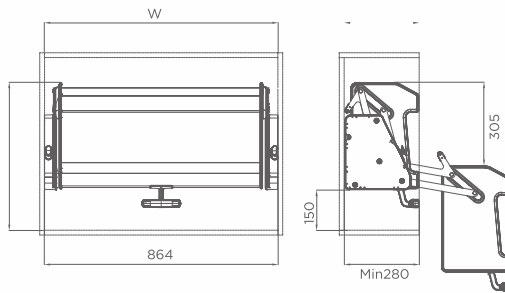
900mm=864x425x180mm W=864mm



NEBULA LIFT UP BASKET



| Item Code: | Size: | Product Size: | Price: |
|------------|-------|-------------------|--------|
| 401281 | 600mm | 564 x 280 x 550mm | 43,900 |
| 401284 | 900mm | 860 x 280 x 550mm | 49,900 |



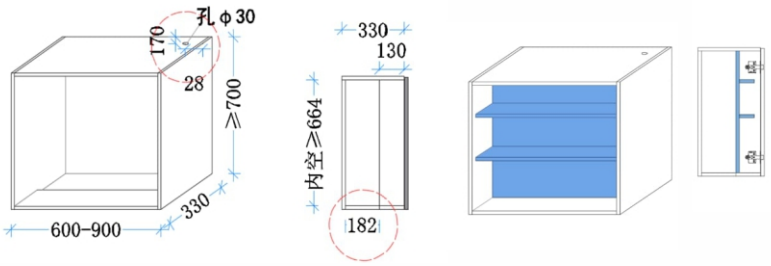
STAR MOVE (ELECTRICAL LIFT BASKET)



The real magic is the effortless storage of wall cabinets. Touch control lifting, no manual pushing and pulling required, wall cabinet space can also be stored frequently. The aluminum material is thick and double-layered with a total load-bearing capacity of 15KG. No matter how heavy the object is, it can be safely placed.



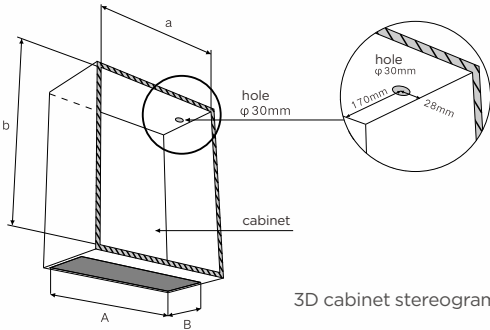
| Item Code: | Size: | Product Size: | Price: |
|------------|-------|-------------------|--------|
| 401304 | 900mm | 870 x 190 x 690mm | 99,000 |



STAR MOVE PRO (ELECTRICAL LIFT BASKET)





| Item Code: | Size: | Product Size: | Price: |
|------------|-------|---------------|---------|
| 401384 | 900mm | 864 x 664mm | 125,000 |





JINGRAN SERIES DRAWER DIVIDER SYSTEM















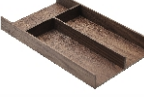
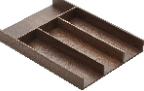
Jingran Series Drawer divider system - set

| | Item Code: | Name | Material | Product Size: W X D X H | Price: |
|---|------------|-------|--------------|---|--------|
|  | 301094 | 900mm | Aluminum+ABS | 800x415x50mm Drawer Net Width \geq 810mm | 12,900 |
|  | 301091 | 600mm | Aluminum+ABS | 500x415x50mm Drawer Net Width \geq 510mm | 10,900 |

Jingran Series Drawer divider system-set

| | Item Code: | Name | Material | Product Size: W X D X H | Price: |
|---|------------|-------|---------------------------|---|--------|
|  | 301084 | 900mm | White oak Black walnut | 800x422x66mm Drawer Net Width \geq 800mm | 34,900 |
|  | 301088 | 900mm | White oak Black walnut | 800x422x66mm Drawer Net Width \geq 800mm | 33,900 |

Jingran Series Drawer divider system - Single product

| | Item Code: | Name | Material | Product Size: W x D x H | Price: |
|---|------------|--------------------------|-----------------------------|----------------------------|--------|
|  | 301051 | Capsule coffee box | North American Black Walnut | 150x422x10mm | 5,900 |
|  | 301052 | knife block | North American Black Walnut | 150x422x33mm | 8,900 |
|  | 301053 | Plastic wrap box | North American Black Walnut | 150x422x66mm | 9,900 |
|  | 301054 | 100 separator | North American Black Walnut | 100x422x60mm | 5,900 |
|  | 301055 | 150 separator | North American Black Walnut | 150x422x60mm | 6,900 |
|  | 301056 | 170 separator | North American Black Walnut | 170x422x60mm | 7,900 |
|  | 301057 | Seasoning container | North American Black Walnut | 100x422x58mm | 5,900 |
|  | 301058 | Grinder rack | North American Black Walnut | 150x422x58mm | 10,900 |
|  | 301061 | 150 Cross divider | North American Black Walnut | 150x422x48mm | 3,900 |
|  | 301062 | 150 T-type Cross divider | North American Black Walnut | 150x422x43mm | 3,900 |
|  | 301063 | 150 U-type Cross divider | North American Black Walnut | 150x422x48mm | 4,900 |
|  | 301064 | 200 U-type Cross divider | North American Black Walnut | 200x422x48mm | 5,900 |
|  | 301065 | 250 U-type Cross divider | North American Black Walnut | 250x422x48mm | 6,500 |
|  | 301066 | 300 U-type Cross divider | North American Black Walnut | 300x422x48mm | 6,900 |

SHEARER THREE SIDES PULL OUT BASKET



Aluminum combination



Black walnut combination



White oak combination

ALUMINIUM MATCH WITH JINGRAN SERIES

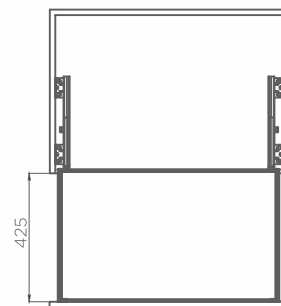
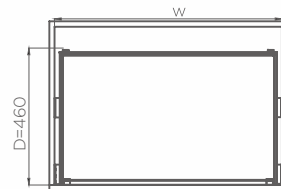
Higold Shearer three sides pull out basket, through the optimization of product material, structure, aesthetic design, the storage space is subdivided and adjustable, to meet the needs of users to store a variety of kitchen utensils, experience the comfort and refreshing of a clean kitchen.

| Item Code: | Size: | Price: |
|------------|-------|--------|
| 303835 | 600mm | 9,900 |
| 303831 | 900mm | 11,900 |

Product Size (WxDxH):

600mm: 564x460x120mm

900mm: 864x460x120mm



DIAMOND PANTRY (6 LAYER)

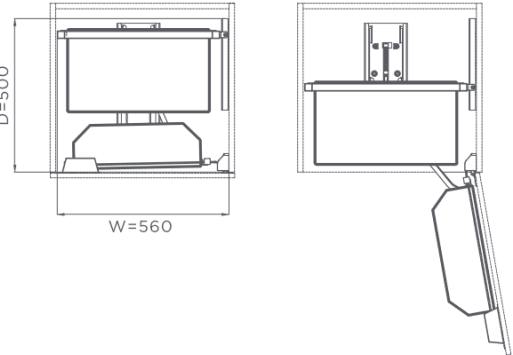
| Item Code: | Size: | Price: |
|------------|----------|--------|
| 202263 | 450mmx6L | 30,000 |
| 202266 | 600mmx6L | 32,000 |

Product Size(WxDxH):

450mm - 410 x 500 x 1825mm
 600mm - 560 x 500 x 1825mm

Small basket (450) - 270
 Big basket (450) - 320

Small basket (600) W=430mm
 Big basket (600) W=475mm



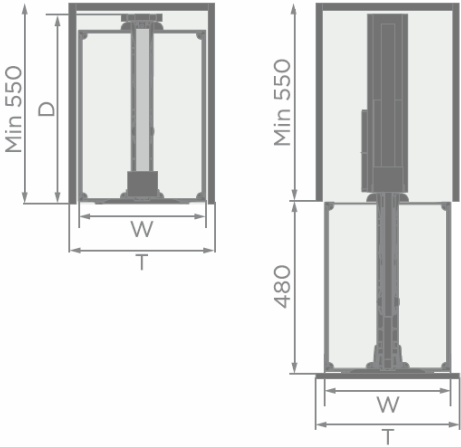
DIAMOND TALL UNIT (5 LAYER)

| Item Code: | Size: | Price: |
|------------|-------|--------|
| 201122 | 300mm | 37,000 |
| 201125 | 400mm | 41,000 |

Product Size (WxDxH):

300mm: 250 x 510 x (1659-2059)mm
 400mm: 350 x 510 x (1659-2059)mm

Basket 300mm W=250mm
 Basket 400mm W=350mm





DIAMOND SHOWHAND CORNER

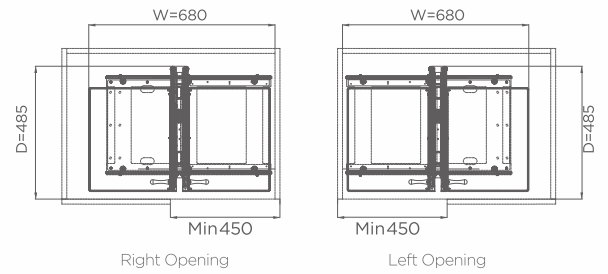
Minimum door opening width:450mm

| Item Code: | Price: |
|------------|--------|
| 101125 | 29,000 |

Product Size (WxDxH):

680 x 485 x 590mm

Basket W=295mm



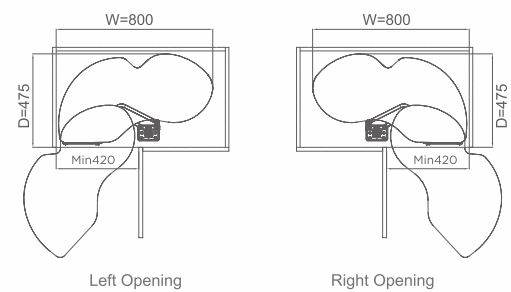
DIAMOND SWING CORNER

| Item Code: | Size: | Price: |
|------------|-------|--------|
| 101071-L | 900mm | 20,000 |
| 101072-R | 900mm | 20,000 |

Product Size (WxDxH):

900mm = 800 x 475 x (600-750) mm

900mm = 800 x 475 x (600-750) mm



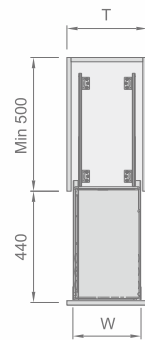


DIAMOND BOTTLE PULL OUT (2 LAYER)

| Item Code: | Size: | Price: |
|------------|-------|--------|
| 304161 | 150mm | 7,000 |
| 304162 | 200mm | 8,000 |
| 304163 | 250mm | 8,500 |
| 304164 | 300mm | 9,000 |

Product Size (WxDxH):

150mm = 105x462x580mm
 200mm = 155x462x580mm
 250mm = 205x462x580mm
 300mm = 255x462x580mm

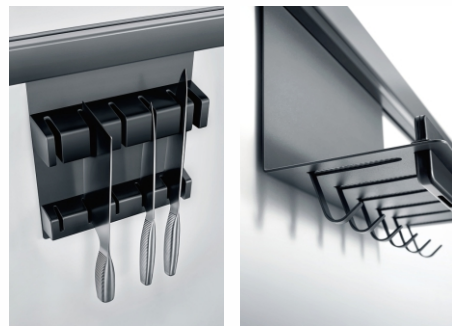


CAPRI MID WAY SET (Without LED)

| Item Code: | Size: | Price: |
|------------|-------|--------|
| 403194 | 900mm | 13,000 |

Product Size (WxDxH):

904 x 300 x 126mm



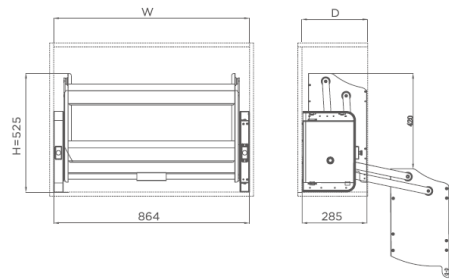


DIAMOND DISH AND BOWL LIFT UP

| Item Code: | Size: | Price: |
|------------|-------|--------|
| 401331 | 600mm | 21,000 |
| 401334 | 900mm | 23,000 |

Product Size (WxDxH):

600 = 564 x 283 x 525mm
 900 = 864 x 283 x 525mm

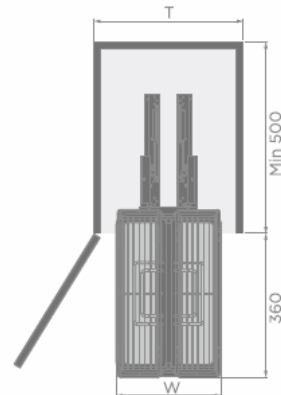


LIQUID RACK PULLOUT

| Item Code: | Size: | Price: |
|------------|-------|--------|
| 307020 | 350mm | 7,900 |

Product Size (WxDxH):

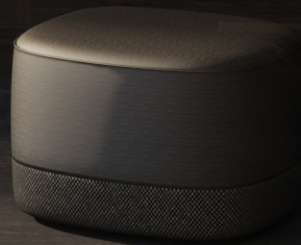
285x467x415 mm



B SERIES WARDROBE ACCESSORIES



- Full Body Leather
- Art Customization
- Exquisite craftsmanship
- Full extension



B SERIES WARDROBE ACCESSORIES

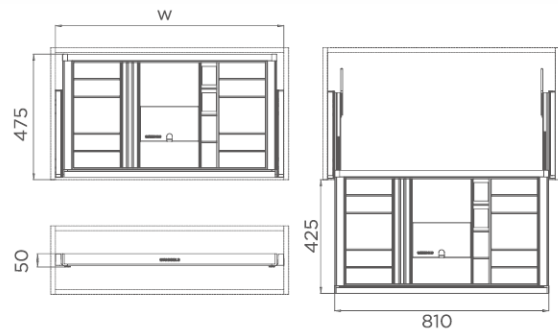


JEWELLERY BOX

| Item Code: | Size: | Price: |
|------------|-------|--------|
| 706044M | 900mm | 42,000 |

Product Size (WxDxH):

864 X 475 X 50mm

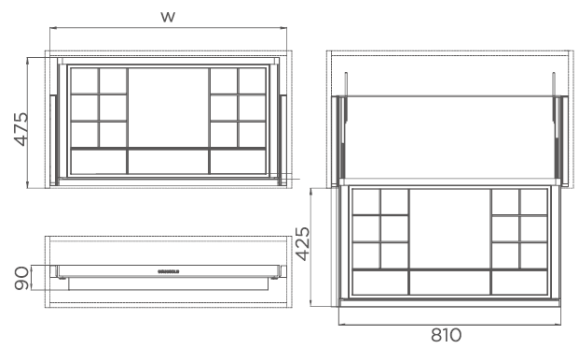


CHARM STORAGE BOX

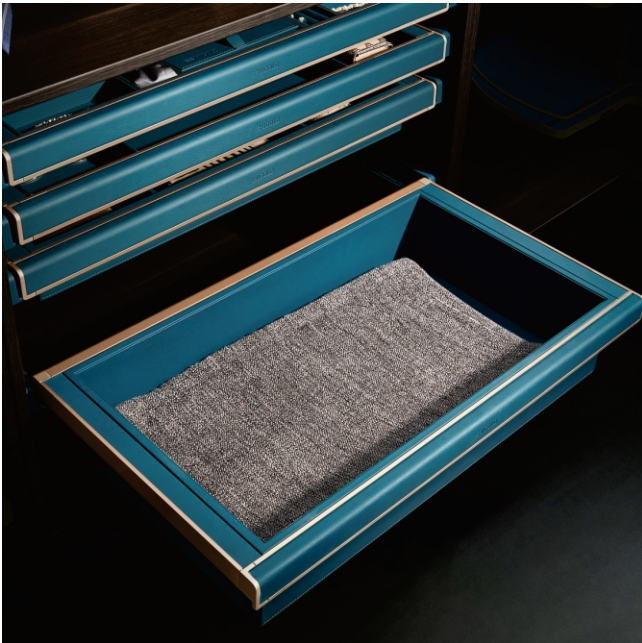
| Item Code: | Size: | Price: |
|------------|-------|--------|
| 706014M | 900mm | 36,000 |

Product Size (WxDxH):

864 X 475 X 90mm



B SERIES WARDROBE ACCESSORIES

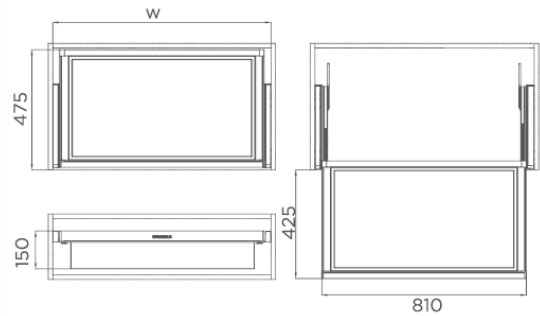


SHALLOW LEATHER BASKET

| Item Code: | Size: | Price: |
|------------|-------|--------|
| 706034M | 900mm | 36,000 |

Product Size (WxDxH):

864 x 475 x 50mm

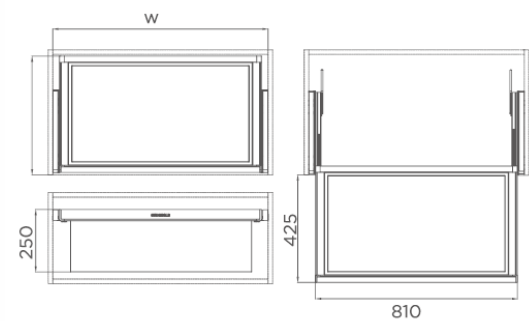


DEEP LEATHER BASKET

| Item Code: | Size: | Price: |
|------------|-------|--------|
| 706054M | 900mm | 40,000 |

Product Size (WxDxH):

864 X 475 X 250mm



B SERIES WARDROBE ACCESSORIES

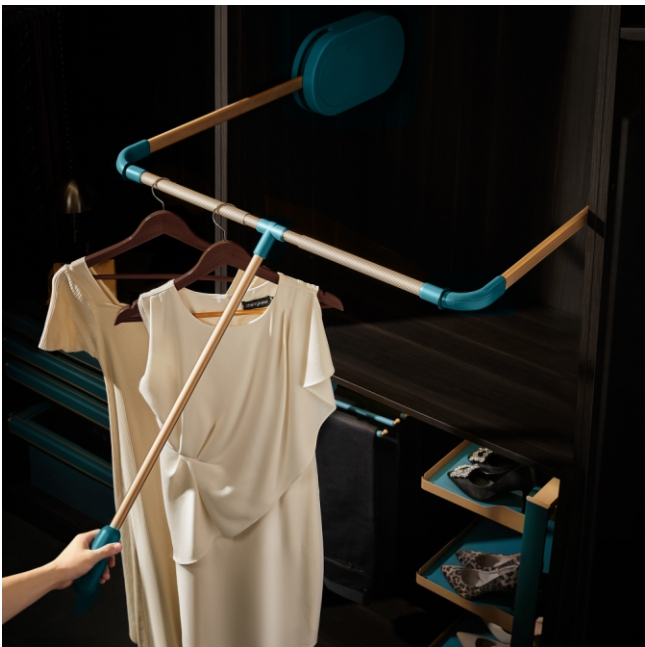
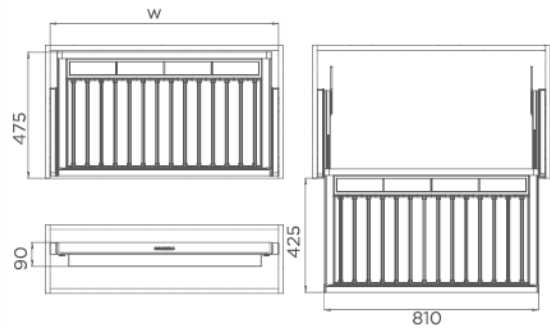


TROUSER RACK

| Item Code: | Size: | Price: |
|------------|-------|--------|
| 706024M | 900mm | 40,000 |

Product Size (WxDxH):

864 X 475 X 90mm

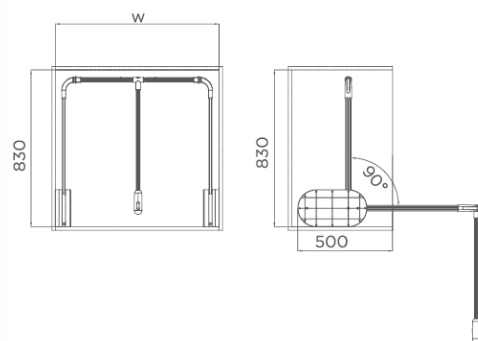


CLOTHES LIFTING RACK

| Item Code: | Price: |
|------------|--------|
| 703156M | 20,000 |

Product Size (WxDxH):

(864-1064) x 366 x 792mm



B SERIES WARDROBE ACCESSORIES

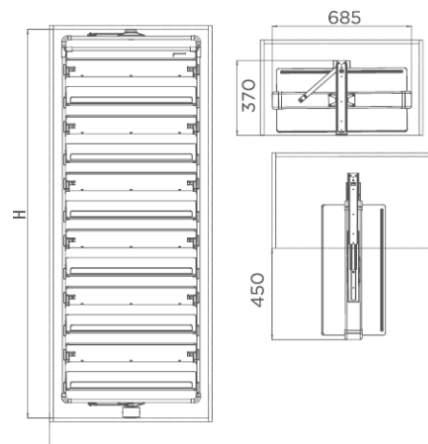


ROTATING SHOE RACK

| Item Code: | Size: | Price: |
|------------|----------|--------|
| 703594M | 6 Layer | 50,000 |
| 703591M | 12 Layer | 85,000 |

Product Size (WxDxH):

6 Layers-800mm-685x370x(1070-1270) mm
 12 Layer-800mm-685x370x(1910-2110) mm



TIE RACK

| Item Code: | Price: |
|------------|--------|
| 703541M | 4,500 |

Product Size (WxDxH):

85 x 435 x 95mm

B SERIES WARDROBE ACCESSORIES

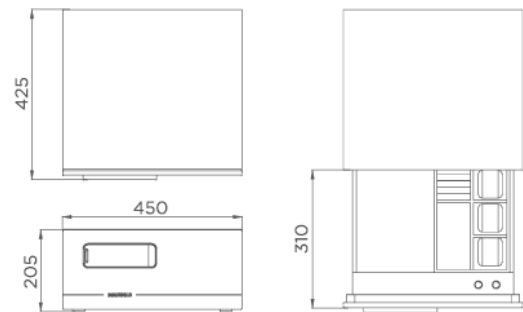


FINGER PRINT SAFE BOX

| Item Code: | Price: |
|------------|--------|
| 703297M | 60,000 |

Product Size (WxDxH):

450 X 412 X 205mm

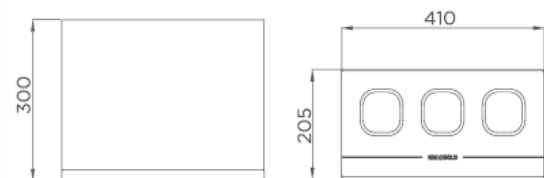


WATCH WINDER (3 UNITS)

| Item Code: | Price: |
|------------|--------|
| 706154M | 59,000 |

Product Size (WxDxH):

410 x 300 x 205mm



B SERIES WARDROBE ACCESSORIES

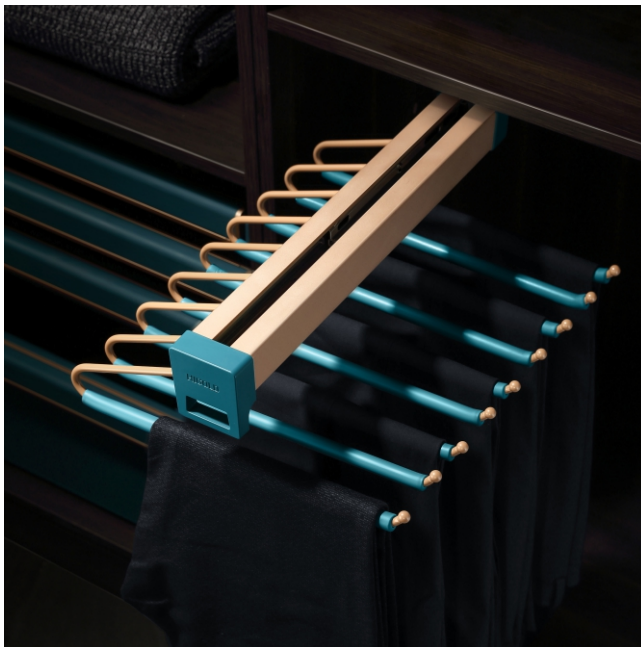


HANGING ROD AND HOLDER

| Item: | Item Code: | Price: |
|--------|------------|--------|
| Rod | 706191M | 4,000 |
| Holder | 703660M | 800 |

Product Size (WxDxH):

Rod - 3000 x 17 x 35mm
Holder - 28 x 22 x 75mm

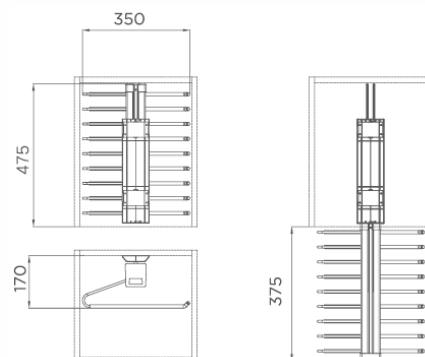


TOP PANT RACK

| Item Code: | Size: | Price: |
|------------|-------|--------|
| 703502M | 400mm | 8,000 |

Product Size (WxDxH):

350 x 453 x 171mm



B SERIES WARDROBE ACCESSORIES

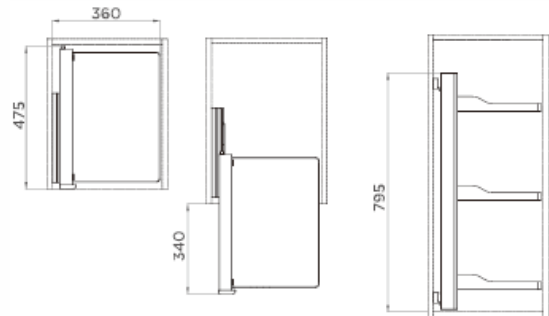


SIDE MOUNT-3 SHELF

| Item Code: | Price: |
|------------|--------|
| 703573M | 32,000 |

Product Size (WxDxH):

360 x 475 x 795mm

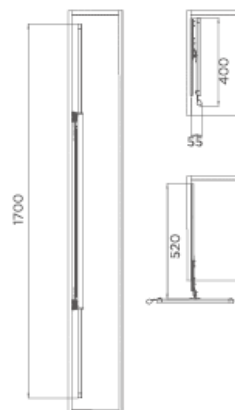


REVOLVING MIRROR

| Item Code: | Price: |
|------------|--------|
| 706161M | 15,000 |

Product Size (WxDxH):

400 x 55 x 1700mm



B SERIES WARDROBE ACCESSORIES

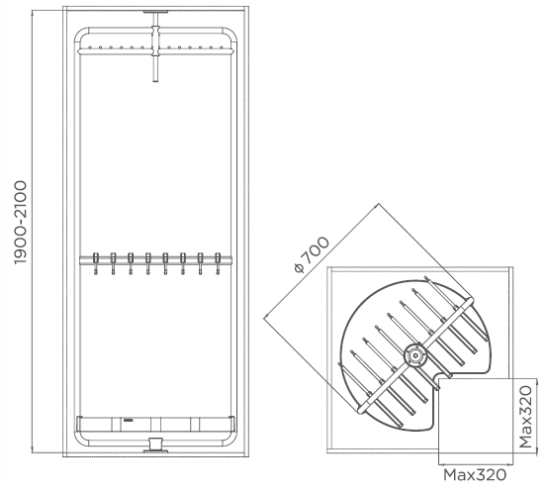


MULTI-FUNCTIONAL CORNER RACK

| Item Code: | Price: |
|------------|--------|
| 706202M | 36,000 |

Product Size (WxDxH):

685 x 370 x (1070-1270) mm



ROTATING CLOTHES RACK

| Item Code: | Price: |
|------------|--------|
| 703501M | 6,000 |

Product Size (WxDxH):

522 x 522 x 188mm

B 2.0 SERIES
WARDROBE ACCESSORIES

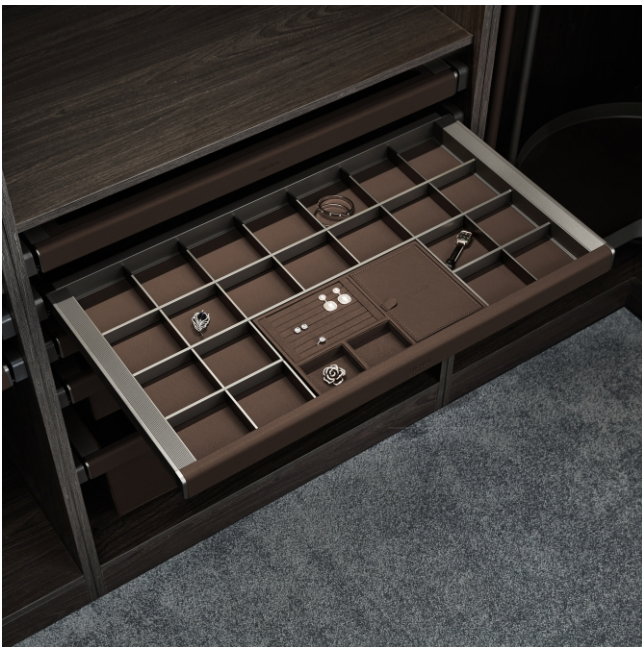


B2.0 SERIES WARDROBE ACCESSORIES



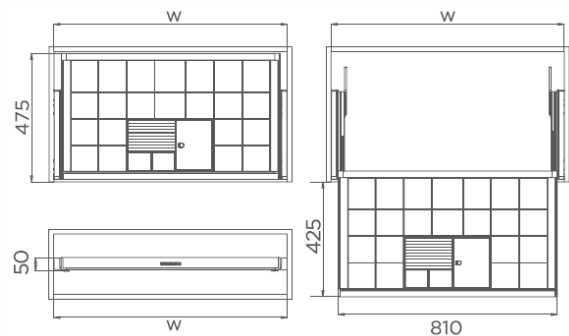
BEAUTY STORAGE BOX

| Item Code: | Size: | Product Size: | Price: |
|------------|-------|---------------|--------|
| 706364 | 900mm | 864x475x50mm | 22,900 |
| 706361 | 600mm | 564x475x50mm | 20,900 |



JEWELLERY BOX

| Item Code: | Size: | Product Size: | Price: |
|------------|-------|---------------|--------|
| 706344 | 900mm | 864x475x50mm | 20,900 |
| 706341 | 600mm | 564x475x50mm | 18,900 |

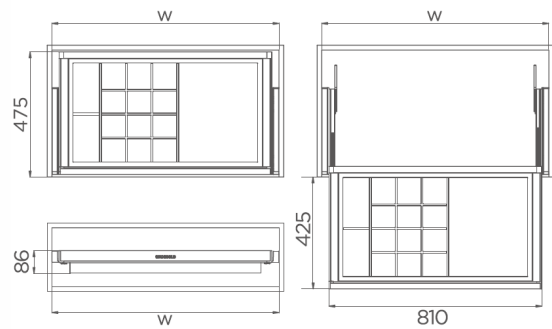


B2.0 SERIES WARDROBE ACCESSORIES



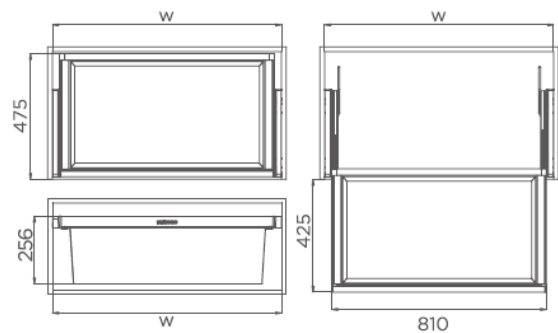
CHARM STORAGE BOX

| Item Code: | Size: | Product Size: | Price: |
|------------|-------|---------------|--------|
| 706314 | 900mm | 864x475x86mm | 19,900 |
| 706311 | 600mm | 564x475x90mm | 17,900 |



DEEP LEATHER BASKET

| Item Code: | Size: | Product Size: | Price: |
|------------|-------|---------------|--------|
| 706354 | 900mm | 864x475x256mm | 20,900 |
| 706351 | 600mm | 564x475x260mm | 18,900 |

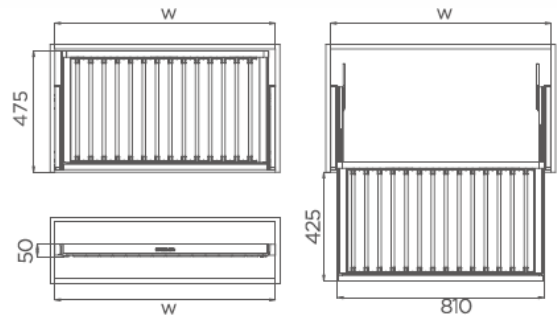


B2.0 SERIES WARDROBE ACCESSORIES



TROUSER RACK

| Item Code: | Size: | Product Size: | Price: |
|------------|-------|---------------|--------|
| 706324 | 900mm | 864x475x50mm | 13,900 |
| 706321 | 600mm | 564x475x50mm | 11,900 |



A SERIES
WARDROBE ACCESSORIES
(PREMIUM GREY)



A SERIES PREMIUM GREY ACCESSORIES

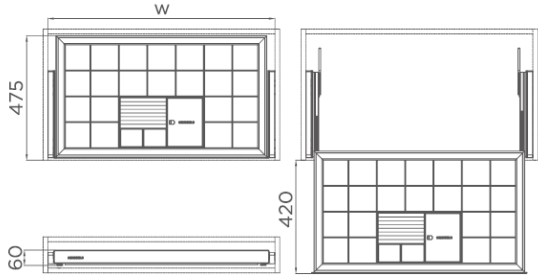


CHARM BOX

| Item Code: | Size: | Price: |
|------------|-------|--------|
| 703744-S | 900mm | 22,900 |

Product Size (WxDxH):

864 x 475 x 60mm

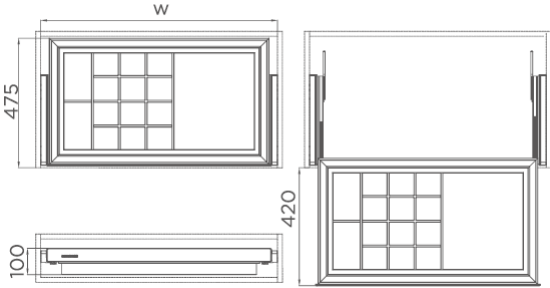


CHARM STORAGE BOX

| Item Code: | Size: | Price: |
|------------|-------|--------|
| 703714-S | 900mm | 21,900 |

Product Size (WxDxH):

864 x 475 x 100mm



A SERIES PREMIUM GREY ACCESSORIES

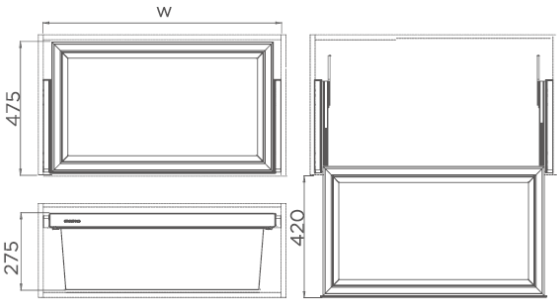


LEATHERY CLOTHES BASKET

| Item Code: | Size: | Price: |
|------------|-------|--------|
| 703734-S | 900mm | 22,900 |

Product Size (WxDxH):

864 x 475 x 275mm

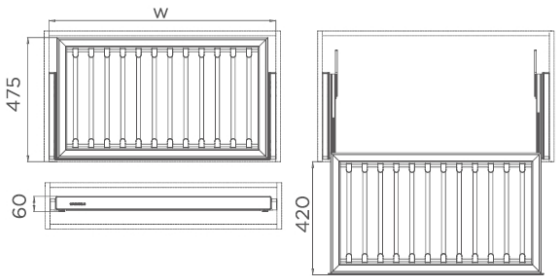


TROUSER RACK

| Item Code: | Size: | Price: |
|------------|-------|--------|
| 703724-S | 900mm | 13,900 |

Product Size (WxDxH):

864 x 475 x 60mm



A SERIES PREMIUM GREY ACCESSORIES

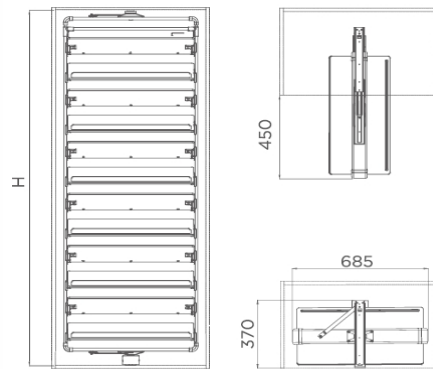


FASHION ROTATING SHOE RACK

| Item Code: | Size: | Price: |
|------------|------------|--------|
| 703694-S | 6 shelves | 38,900 |
| 703691-S | 12 shelves | 58,900 |

Product Size (WxDxH):

6 shelves - 685 x 370 x (1070-1270) mm
 12 shelves - 685 x 370 x (1910-2110) mm

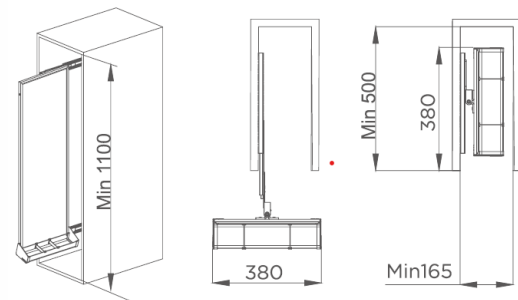


REVOLVING MIRROR

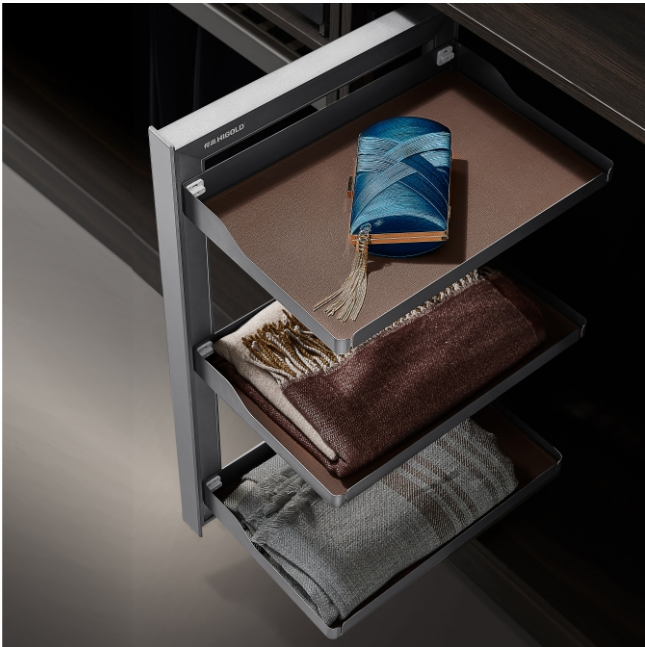
| Item Code: | Price: |
|------------|--------|
| 703565-S | 7,900 |

Product Size (WxDxH):

380 x 140 x 1000mm



A SERIES PREMIUM GREY ACCESSORIES

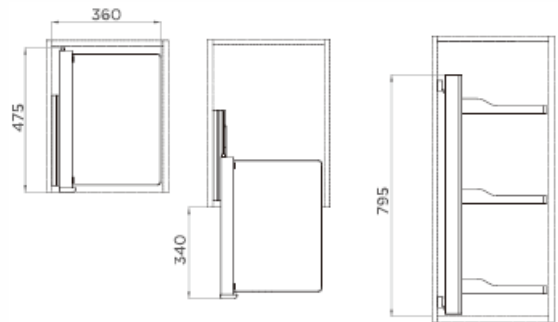


3 SHELF SIDE MOUNT

| Item Code: | Size: | Price: |
|------------|-------|--------|
| 703572-S | 400mm | 21,900 |

Product Size (WxDxH):

356 x 475 x 780mm

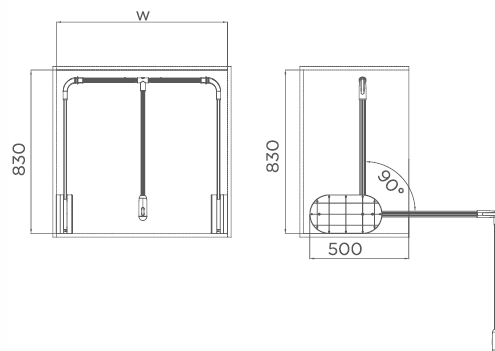


CLOTHES LIFTING RACK

| Item Code: | Price: |
|------------|--------|
| 703156-S | 19,900 |

Product Size (WxDxH):

(864 - 1064) x 366 x 792mm



A SERIES PREMIUM GREY ACCESSORIES

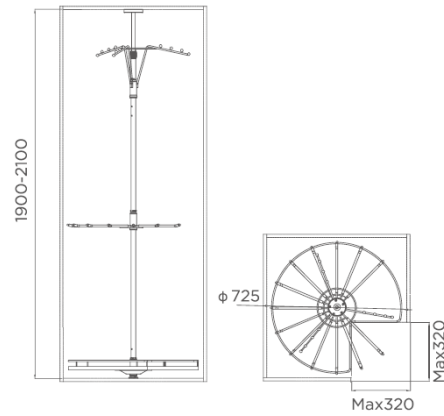


3 IN 1 CORNER UNIT

| Item Code: | Size: | Price: |
|------------|-------|--------|
| 703552-S | 800mm | 27,900 |

Product Size (WxDxH):

725 x (1900 - 2100) mm



HANGING ROD AND HOLDER

| Item: | Item Code: | Price: |
|--------|------------|--------|
| Rod | 703581-S | 4,000 |
| Holder | 703580-S | 800 |

Product Size (WxDxH):

Rod - 3000 x 17 x 35mm
Holder - 28 x 22 x 75mm

A SERIES PREMIUM GREY ACCESSORIES



ROTATING CLOTHES RACK

| Item Code: | Price: |
|------------|--------|
| 703501-S | 5,000 |

Product Size (WxDxH):

522 x 188mm



TOP PANTS RACK

| Item Code: | Size: | Price: |
|------------|-------|--------|
| 703502-S | 400mm | 7,500 |

Product Size (WxDxH):

350 x 453 x 171mm

A SERIES PREMIUM GREY ACCESSORIES

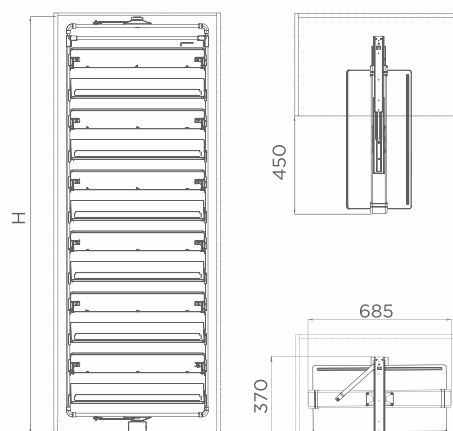


O SHAPE ROTATING SHOE RACK

| Item Code: | Size: | Price: |
|------------|------------|--------|
| 703791S | 12 shelves | 79,900 |

Product Size (WxDxH):

700 x 370 x (1940-2040)mm



TIE RACK

| Item Code: | Price: |
|------------|--------|
| 703541-S | 4,500 |

Product Size (WxDxH):

85 x 445 x 95mm

MUSE SERIES
WARDROBE ACCESSORIES



MUSE SERIES WARDROBE ACCESSORIES

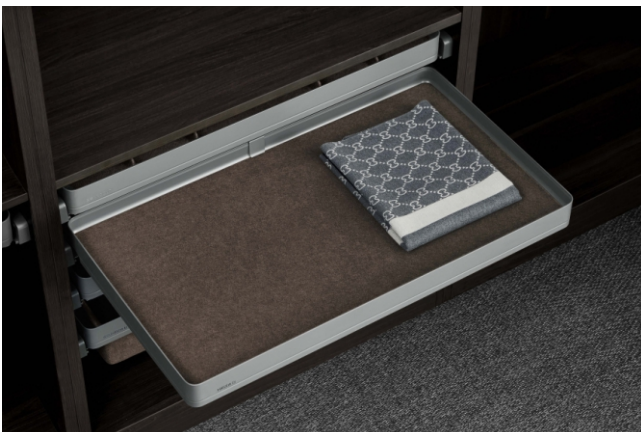


ACCESSORIES STORAGE BOX

| Item Code: | Size: | Price: |
|------------|-------|--------|
| 706644 | 900mm | 16,900 |

Product Size (WxDxH):

864 x 480 x 75mm



MULTI-FUNCTIONAL STORAGE BOX

| Item Code: | Size: | Price: |
|------------|-------|--------|
| 706604 | 900mm | 14,900 |

Product Size (WxDxH):

864 x 480 x 75mm



UNDERWEAR STORAGE BOX

| Item Code: | Size: | Price: |
|------------|-------|--------|
| 706614 | 900mm | 15,900 |

Product Size (WxDxH):

864 x 480 x 100mm

MUSE SERIES WARDROBE ACCESSORIES



CLOTHES BASKET

| Item Code: | Size: | Price: |
|------------|-------|--------|
| 706634 | 900mm | 15,900 |

Product Size (WxDxH):

864 x 480 x 180mm



TROUSERS RACK

| Item Code: | Size: | Price: |
|------------|-------|--------|
| 706624 | 900mm | 9,900 |

Product Size (WxDxH):

864 x 480 x 75mm



BALL BEARING SLIDES



BALL BEARING SLIDE (REGULAR)

1.2x1.2x1.5mm

| Size: | Price: |
|---------|----------|
| 10"-24" | 28/ inch |

Weight Capacity: 45kg
Cycling test: 80,000 times



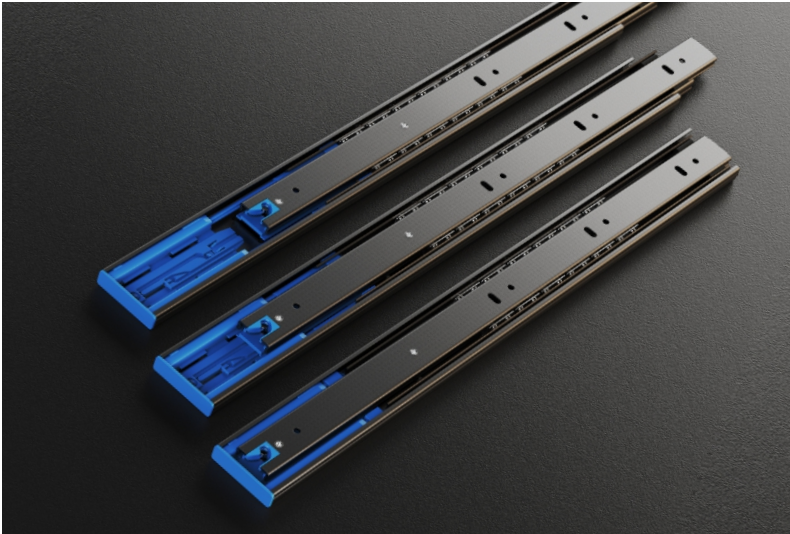
BALL BEARING SLIDE (SOFT CLOSE)

1.2x1.2x1.5mm

| Size: | Price: |
|---------|----------|
| 10"-24" | 48/ inch |

Weight Capacity: 45kg
Cycling test: 80,000 times

BALL BEARING SLIDES



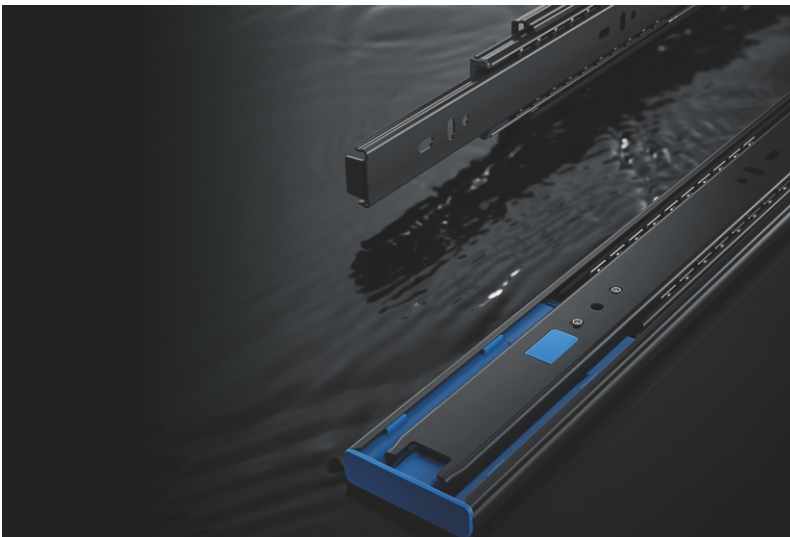
N SERIES

Full Extension Push To Open Ball Bearing Slide

1.0x1.0x1.2mm

| Size: | Price: |
|---------|----------|
| 10"-24" | 48/ inch |

Weight Capacity: 45kg
Cycling test: 80,000 times



G2.0 SERIES

Full Extension Soft-close Ball Bearing Slide with Double Spring

1.0x1.0x1.2mm

| Size: | Price: |
|---------|----------|
| 10"-24" | 48/ inch |

Weight Capacity: 45kg
Cycling test: 80,000 times









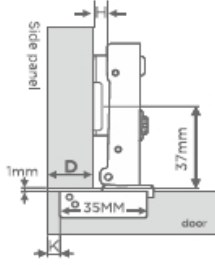
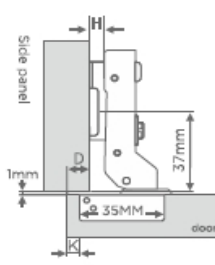
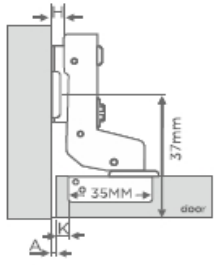
HINGES



3D ONE WAY HINGE

| Code: | Size: | Price: | Black Color Price: |
|--------|----------|--------|--------------------|
| 813031 | 0 CRANK | 240 | 280 |
| 813032 | 8 CRANK | 240 | 280 |
| 813033 | 15 CRANK | 240 | 280 |

Thickness: 1.2mm
 Cycle testing: 60,000
 Salt spray test: 48 hr

| MODEL 813031 | MODEL 813032 | MODEL 813033 |
|--|---|--|
|  One force Full Overlay |  One force Half Overlay |  One force Inset |
|  |  |  |
| PARAMETERS THE FIGURE | | |
|  <p>$H=14+K-D$</p> |  <p>$H=5+K-D$</p> |  <p>$H=-6+K+A$</p> |

HINGES

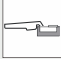
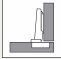

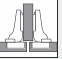





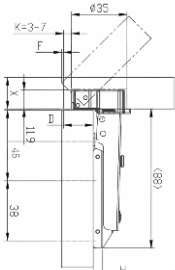
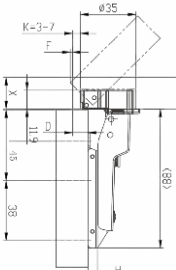
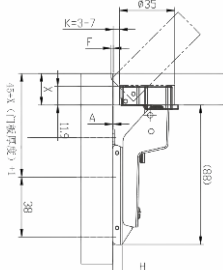


KING SERIES

Slide On In-line Soft-close Hinge

| Code: | Size: | Price: |
|---------|----------|--------|
| 813724C | 0 crank | 450 |
| 813725C | 8 crank | 450 |
| 813726C | 15 crank | 450 |

Cycle testing: 50,000
Salt spray test: 48 hr

| MODEL 813107 | MODEL 813107 | MODEL 813107 |
|---|---|--|
|   <p>Three way Full Overlay</p> |   <p>Three way Half Overlay</p> |   <p>Three way Inset</p> |
|  |  |  |
| PARAMETERS THE FIGURE | | |
|  <p>$H=16+K-D$</p> |  <p>$H=6+K-D$</p> |  <p>$H=-4+K+A$</p> |

HINGES

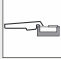
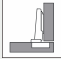

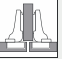





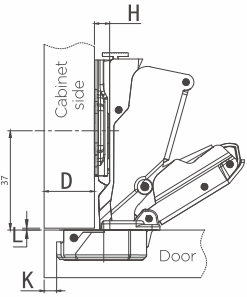
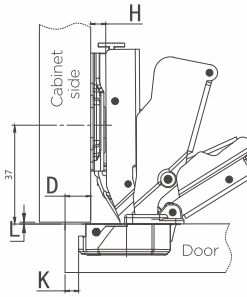
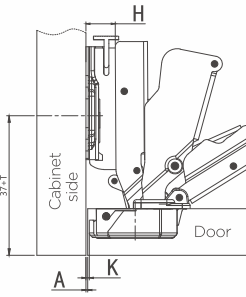


G SERIES

One Way 165° Clip On Soft-close Hinge

| Code: | Size: | Price: |
|--------|----------|--------|
| 813357 | 0 CRANK | 650 |
| 813358 | 8 CRANK | 650 |
| 813359 | 15 CRANK | 650 |

Thickness: 1.2mm
 Cycle testing: 60,000
 Salt spray test: 48 hr

| MODEL 813357 | MODEL 813358 | MODEL 813359 |
|---|---|--|
|   <p>One way Full Overlay</p> |   <p>One way Half Overlay</p> |   <p>One way Inset</p> |
|  |  |  |
| PARAMETERS THE FIGURE | | |
|  <p>$H=14+K-D$</p> |  <p>$H=4+K-D$</p> |  <p>$H=K+A$</p> |

HINGES


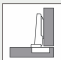
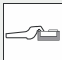
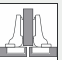





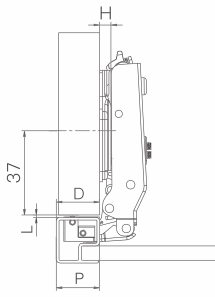
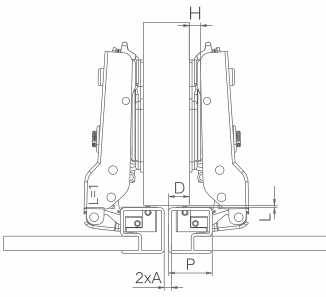
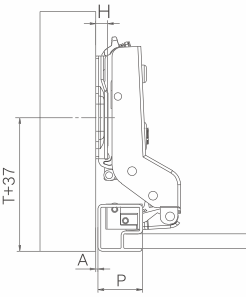


G SERIES

One Way Aluminum Frame Clip On Hinge

| Code: | Size: | Price: |
|--------|----------|--------|
| 813374 | 0 crank | 800 |
| 813375 | 8 crank | 800 |
| 813376 | 15 crank | 800 |

Suitable for aluminum frame door
3D Adjustment (with cam plate)
Cycle testing: 50,000
Salt spray test: 48 hr

| MODEL 813357 | MODEL 813358 | MODEL 813359 |
|---|---|--|
|   <p>One way Full Overlay</p> |   <p>One way Half Overlay</p> |   <p>One way Inset</p> |
|  |  |  |
| PARAMETERS THE FIGURE | | |
|  <p>$H=P-D$</p> |  <p>$H=-10+P-D$</p> |  <p>$H=-20+P+A$</p> |

HINGES



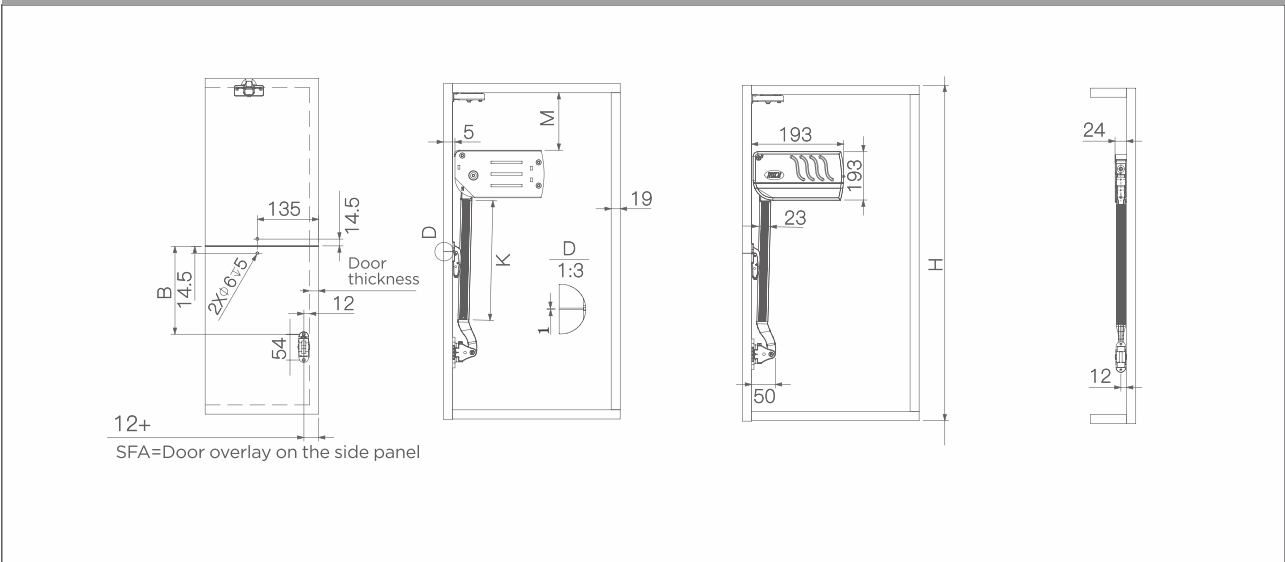
M SERIES

Bi-fold Lifting System

| Code: | Size: | Weight: | Price: |
|--------|--------|-------------|--------|
| 817120 | Light | 5.1kg-6kg | 8000 |
| 817121 | Medium | 7.1kg-8kg | 8000 |
| 817122 | Heavy | 10.1kg-11kg | 8000 |

Silent and smooth closing
 Easy to open
 Full access to the inside of the cabinet

PARAMETERS THE FIGURE





SLIM DRAWER BOX



SLIM BOX DARK GREY

HEIGHT: 86mm

| Code: | Size: | Price: |
|--------|-------|--------|
| 816609 | 450mm | 3200 |
| 816610 | 500mm | 3200 |



SLIM BOX DARK GREY

HEIGHT: 118mm

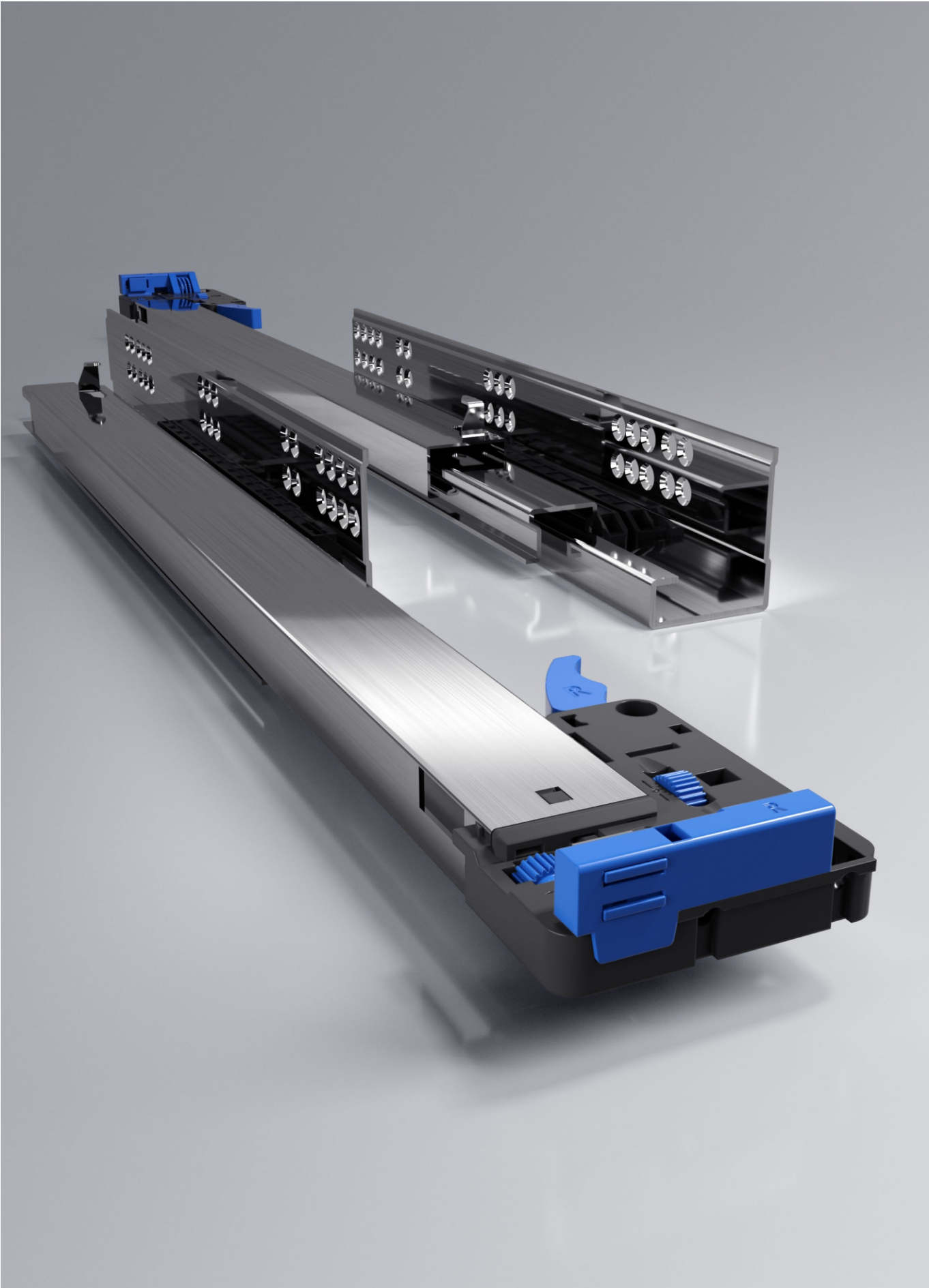
| Code: | Size: | Price: |
|--------|-------|--------|
| 816619 | 450mm | 3600 |
| 816620 | 500mm | 3600 |



SLIM BOX DARK GREY

HEIGHT: 167mm

| Code: | Size: | Price: |
|--------|-------|--------|
| 816629 | 450mm | 4000 |
| 816630 | 500mm | 4000 |



M2.0 SERIES

Synchronized Full Extension Soft-close Undermount Slide-18mm Board



| Code: | Size: | Price: |
|--------|-------|--------|
| 811211 | 250mm | 1,100 |
| 811212 | 300mm | 1,200 |
| 811213 | 350mm | 1,300 |
| 811214 | 400mm | 1,400 |
| 811215 | 450mm | 1,500 |
| 811216 | 500mm | 1,600 |
| 811217 | 550mm | 1,700 |
| 811218 | 600mm | 1,800 |

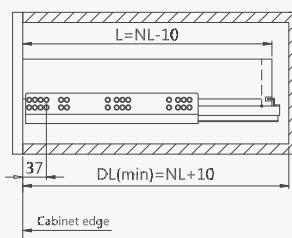
FEATURES:

Material: Steel
 Finish: Zinc plated
 Loading capacity: 35kgs
 Length: 250-600mm
 (customized is available)
 Installation: Undermount
 Application: Office, Home, Kitchen furniture

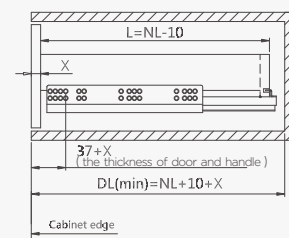
INSTALLATION INSTRUCTION

W:Internal cabinet width
 L:Drawer length
 NL:Assembling dimensions lengthen
 DL:Internal cabinet depth
 X:The drawer board thickness
 Unit:mm

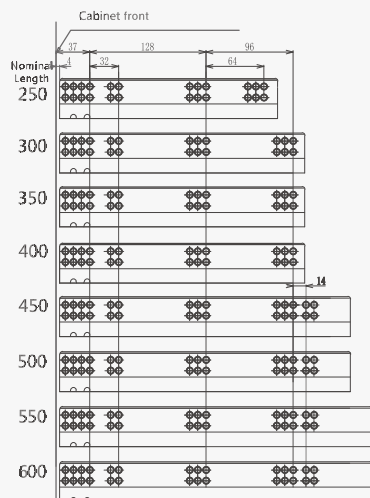
Installation for standard drawer



Installation for inner drawer

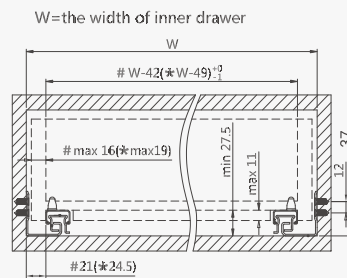


Screw position of the slide(mm)



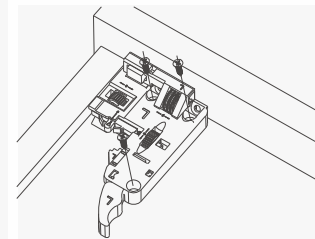
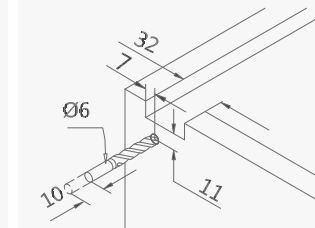
Unit:mm

Installation dimension(mm)



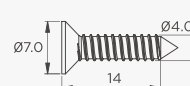
"#" stands for 16mm drawer side thickness
 "*" stands for 18mm drawer side thickness
 Unit:mm

Drawer Back Preparation(mm)

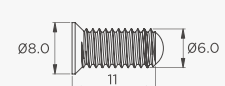


Requirement for screw

Countersunk screw



Euro screw





SINGLE BOWL SINK

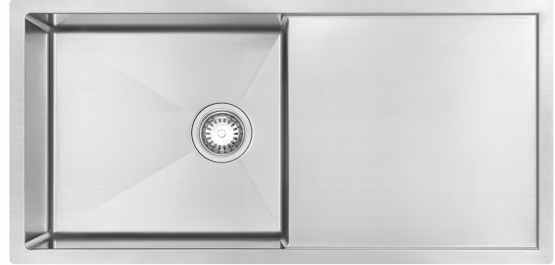


| Item Code: | Size: | Price: |
|------------|------------|--------|
| 951339 SS | 18"x16"x9" | 22,000 |
| 951340 SS | 21"x18"x9" | 24,000 |
| 952248 SS | 24"x18"x9" | 25,000 |

Description:

Material: SS 304, Brushed Surface
Thickness: 1.2mm,R10

SINGLE BOWL WITH DRAIN BOARD SINK



| Item Code: | Size: | Price: |
|------------|-------------------|--------|
| 954104-SS | 37"x18"x9" inches | 36,000 |

Description:

Size: 940x457x228mm,
Bowl: 460x407mm
Cutout size: 893x410xR10mm (Under mount)
Material: SS 304, Brushed Surface
Thickness: 1.2mm

SINGLE BOWL QUARTZ SINK



| Item Code: | Size: | Price: |
|------------|------------|--------|
| 935005 | 30"x18"x8" | 40,000 |

Description:

Material: Composite Quartz
Colours: Black
Food Grade Certified , High Temperature Resistance

DOUBLE BOWL QUARTZ SINK



| Item Code: | Size: | Price: |
|------------|------------|--------|
| 935008 | 34"x20"x8" | 48,000 |

Description:

Material: Composite Quartz
Colours: Black
Food Grade Certified , High Temperature Resistance

wing
pininfarina design

HIGOLD® FURNITURE



Outdoor home desing category
— Supreme Awards —



CALLA

HIGOLD® FURNITURE

HIGOLD® FURNITURE

Armonia

by *pininfarina*



HIGOLD® FURNITURE

wing

pininfarina design



LEO

DESIGNED BY CLAUDIO BELLINI Studio

HIGOLD® FURNITURE



VASCA

DESIGN BY CLAUDIO BELLINI Studio

HIGOLD® FURNITURE

NOTES

A series of horizontal dotted lines for writing notes.

HIGOLD®

Foshan Office

Starlight Plaza, Lecong Town, Shunde District,
Foshan City, Guangdong Province, China A1108

Visit : www.higold.in
Email : higoldasia@outlook.com



Higold Hardware Official



Higold.in